



# Eastern Metal

SIGNS & SAFETY

[easternmetalsignsandsafety.com](http://easternmetalsignsandsafety.com)

Eastern Metal Signs & Safety  
1430 Sullivan Street  
Elmira, NY 14901  
Phone: 607.734.2295  
800.872.SIGN(7446)

## Safety Barricade System





# Eastern Metal

SIGNS & SAFETY

[easternmetalsignsandsafety.com](http://easternmetalsignsandsafety.com)

Eastern Metal Signs & Safety  
1430 Sullivan Street  
Elmira, NY 14901  
Phone: 607.734.2295  
800.872.SIGN(7446)

## FULL SAFETY BARRICADE SYSTEMS



### Features & Benefits:

- Corrosion resistant - won't crack or decay
- Quick Installation and easy relocation
- Durable and impact resistant
- Easily combined with flexible liners
- Ballast-able with water or sand
- Composed of recyclable material
- Deployable by one or two people
- Lightweight, yet heavy duty interlocking design
- Forklift accessible, but no heavy equipment required!
- Customizable configurations - adapts to any size requirements



### Possible Uses

Force Protection  
Special Events  
Crowd Control  
Gate Approaches  
Anti-Terrorism  
Guard Units  
Border Patrol  
Construction Zones  
Airports  
Traffic Control  
Air Shows  
Race Tracks  
Parking Lots  
Perimeter Protection  
Containment System  
Recreational Use  
Flight Line

**Full Safety Barricade Systems and Accessories  
Available Upon Request**



# Eastern Metal

SIGNS & SAFETY

[easternmetalsignsandsafety.com](http://easternmetalsignsandsafety.com)

1430 Sullivan Street  
Elmira, NY 14901  
Phone: 607.734.2295  
800.872.SIGN(7446)

## 42" x 72" Safety Barricade



### SPECIFICATIONS:

Composition: UV-Resistant Polyethylene

Size: Height: 42" / 1067 mm

Length: 72" / 1829 mm

Width: 24" / 610 mm

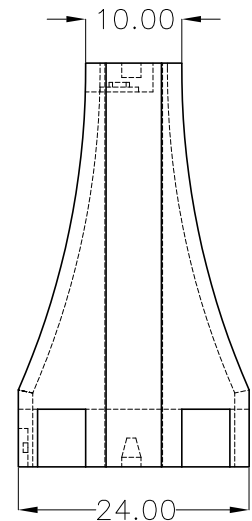
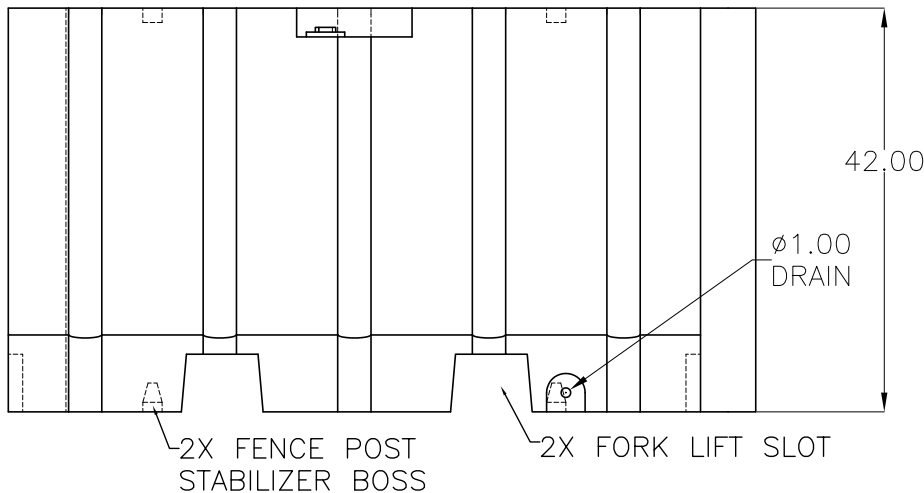
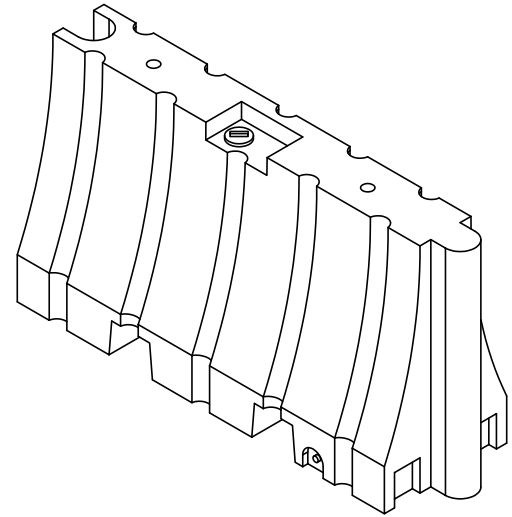
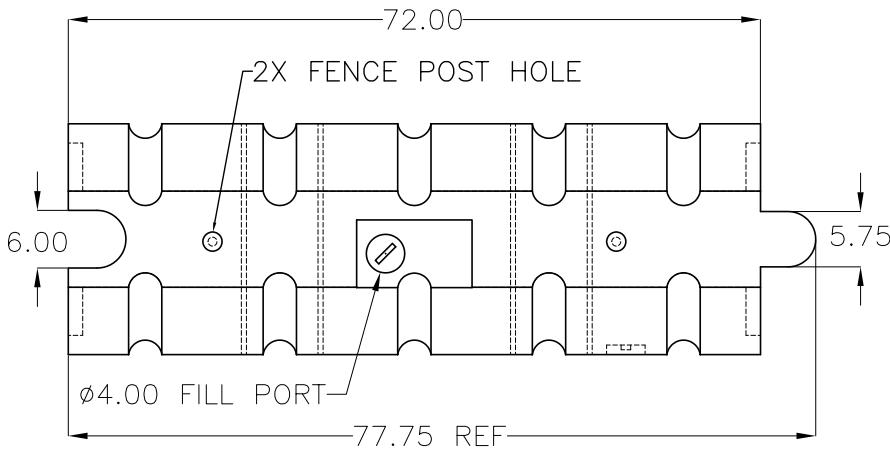
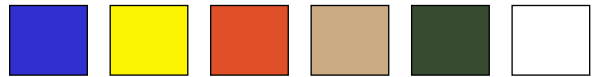
Wall Thickness:

100: .250" / 6.35mm(avg.)

130: .365" / 9.27mm(avg.)

170: .440" / 11.18mm(avg.)

### Colors Available





# Eastern Metal

SIGNS & SAFETY

[easternmetalsignsandsafety.com](http://easternmetalsignsandsafety.com)

1430 Sullivan Street  
Elmira, NY 14901  
Phone: 607.734.2295  
800.872.SIGN(7446)

## 24" x 96" Safety Barricade

### SPECIFICATIONS:

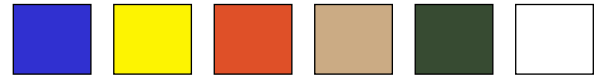
Composition: UV-Resistant Polyethylene

Size: Height: 24" / 610 mm

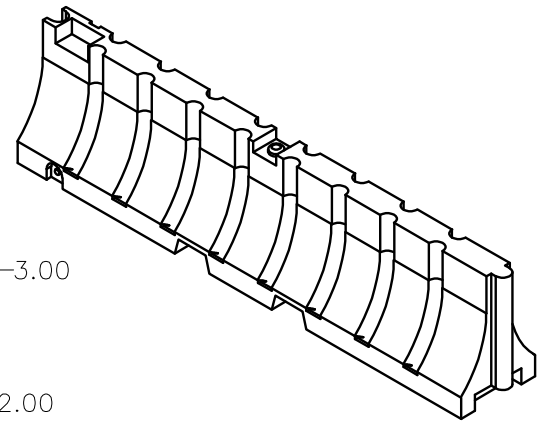
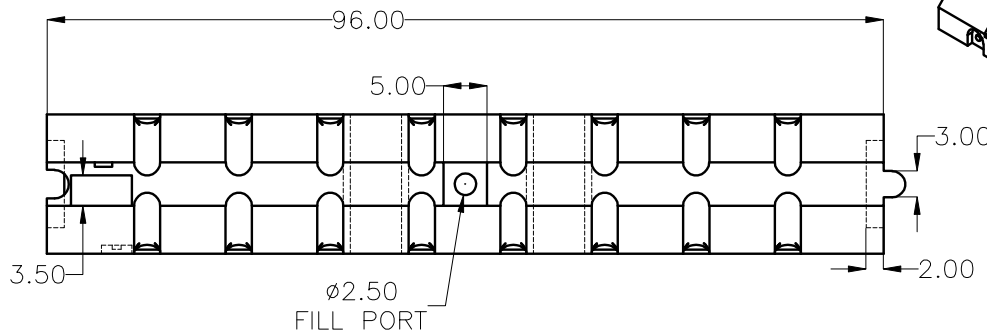
Length: 96" / 2438 mm

Width: 16" / 407 mm

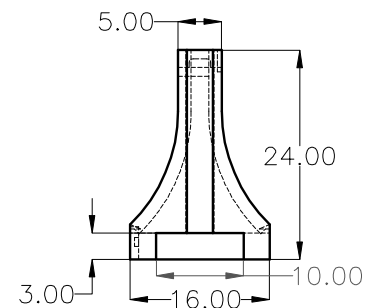
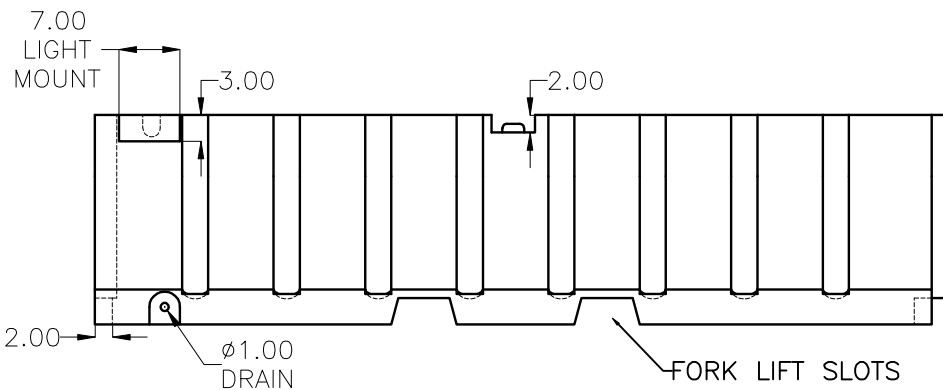
### Colors Available



### 24" BARRIER



APROX. 1/4" WALL THICKNESS





# Eastern Metal

SIGNS & SAFETY

[easternmetalsignsandsafety.com](http://easternmetalsignsandsafety.com)

Eastern Metal Signs & Safety  
1430 Sullivan Street  
Elmira, NY 14901  
Phone: 607.734.2295  
800.872.SIGN(7446)



### Airport Barrier

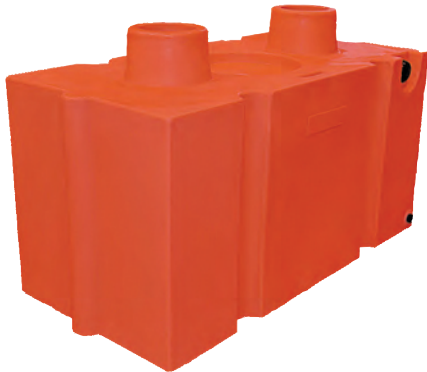
FAA Compliant 150-5370-2E

10"H x 96"L x 10"W  
1008 (color code) -25



### All Purpose/Low Profile Airport Barrier

24"H x 96"L x 16"W  
2408 (color code) -50



### Full Wall Assembly Barrier

24"H x 46"L x 23"W  
2304 (color code) -55



### Half Wall Assembly Barrier

24"H x 23"L x 23"W  
2302 (color code) -30



### 31" x 120" Barrier

31"H x 120"L x 24"W  
3110 (color code) -155



### 32" Stackable Barrier

32"H x 48"L x 18"W  
3204 (color code) -50



# Eastern Metal

SIGNS & SAFETY

[easternmetalsignsandsafety.com](http://easternmetalsignsandsafety.com)

Eastern Metal Signs & Safety  
1430 Sullivan Street  
Elmira, NY 14901  
Phone: 607.734.2295  
800.872.SIGN(7446)



**32" x 72" Barrier**

32"H x 72"L x 18"W  
3206 (color code) -70



**32" x 72" Barrier Connector**

42"H x 74"L x 24"W  
32CN (color code) -70



**24" Corner Barrier**

24"H x 16"L x 16"W  
2418 (color code) - 16

**32" Corner Barrier**

32"H x 18"L x 18"W  
3218 (color code) - 22

**42" Corner Barrier**

42"H x 24"L x 24"W  
4202 (color code) - 50



**Wedge Barrier**

42"H x 42"L x 24"W  
4242 (color code) - 50



**42" x 72" Barrier**

**100#** 42"H x 72"L x 24"W  
4206 (color code) - 100

**42" x 72" Barrier**

**130#** 42"H x 72"L x 24"W  
4206 (color code) -130

**42" x 72" Barrier**

**170#** 42"H x 72"L x 24"W  
4206 (color code) -170



**42" x 96" Barrier**

**150#** 42"H x 96"L x 24"W  
4208 (color code) -150

**42" x 96" Barrier**

**175#** 42"H x 96"L x 24"W  
4208 (color code) -175

**42" x 96" Barrier**

**200#** 42"H x 96"L x 24"W  
4208 (color code) -200

**42" x 96" Barrier**

**225#** 42"H x 96"L x 24"W  
4208 (color code) -225



# Eastern Metal

SIGNS & SAFETY

[easternmetalsignsandafety.com](http://easternmetalsignsandafety.com)

Eastern Metal Signs & Safety  
1430 Sullivan Street  
Elmira, NY 14901  
Phone: 607.734.2295  
800.872.SIGN(7446)



**29" Containment Barrier**

29"H x 84"L x 18"W  
2906 (color code) -60



**48" Containment Barrier**

48"H x 84"L x 24"W  
4806 (color code) - 120



**29" Containment Barrier Corner**

29"H x 30"L x 18"W  
2918 (color code) -60



**48" Containment Barrier Corner**

48"H x 36"L x 24"W  
4802 (color code) - 55



**Containment Barrier Cap**

8"H x 48"L x 12"W  
CAP (color code) -55





# Eastern Metal

SIGNS & SAFETY

[easternmetalsignsandsafety.com](http://easternmetalsignsandsafety.com)

Eastern Metal Signs & Safety  
1430 Sullivan Street  
Elmira, NY 14901  
Phone: 607.734.2295  
800.872.SIGN(7446)



## Features & Benefits:



**Our barricades are designed and built in several different sizes and can be used in a variety of applications.**

### *Possible Applications:*

- Force protection
- Crowd control
- Special events
- Anti-terrorism
- Gate approaches
- Border patrol
- Guard units
- Construction zones
- Airport construction
- Troop protection
- Air shows
- Traffic control
- Flight line
- Race tracks
- Parking lots
- Perimeter protection
- Site perimeter
- Recreational use
- Containment System

The safety barricade system consists of specialty barricades that are superior in strength and quality to the competition. We use a superior rotationally molded process using recyclable polyethylene. This allows our barricades to be lightweight and impact resistant.

- Structurally sound
- Lightweight
- Durable
- Drain plugs
- Variety of colors
- Easily relocated
- Lower labor costs
- Impact resistant
- Allows for application flexibility
- UV and long-term fade resistant
- Screw-on fill caps and lids
- Withstands harsh treatment during installation and relocation
- Ballastable with water or sand
- Composed of recyclable material
- Deployable by one or two people
- Quick installation and removal
- No heavy equipment needed, but forklift accessible
- Pre-molded attachment areas for lights and flags
- Compatible with square bolt-on or round screw-in lights
- Larger barricades accept fencing
- Long lasting visual appeal
- Uniform wall thickness with thicker corners and edges