



BLACK BASE CONES™

TRAFFIC CONES

Introducing our new technologically advanced, superior Black Base Cone™. Our Black Base Cone™ features new grip technology for reduced slippage while handling and interior bands for quick release stacking. This fade resistant cone outperforms others with its Cold and Hot Temperature Formulation, making it the best fit for any climate. The Black Base Cone™ features a 16-lug base for additional support and reduced base cracking during runner incidents. This unique base improves friction to prevent skidding during placement.

The Black Base Cone™ creates a new class of traffic cones, designed for durability and made crash proof. Your safety demands it, and delivers it with high-visibility, durable, high-quality traffic cones.

FEATURES

- Injection-molded for supreme durability
- New grip technology for easier handling
- Interior bands and wide base design reduce stacking issues
- Cold and Hot Temperature Formulation provides superior winter and summer performance
- Superior Fluorescent Pigment gives unmatched fade resistance
- Base and conical sections interlocked and fused to provide integral design
- 16 lug base provides additional support and reduced cracking during runners
- New base design increases friction to prevent skidding
- NCHRP 350/MASH certified
- Meets MUTCD standards



YOUR MANUFACTURER OF WORK ZONE
& TRAFFIC CONTROL PRODUCTS

607-734-2295

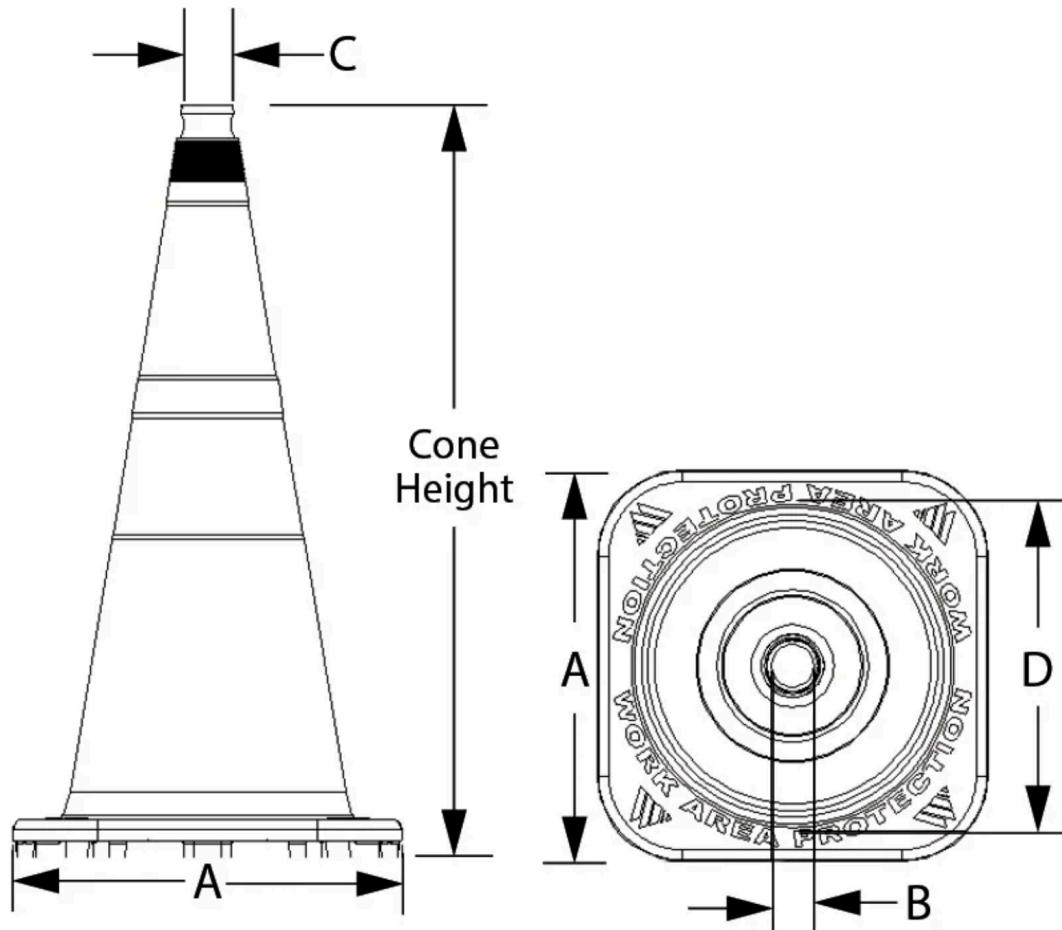
CUSTOMERSERVICE@USA-SIGN.COM



Eastern Metal
SIGNS & SAFETY

COMPARE EASTERN METAL TRAFFIC CONES

	A=Base Size	B=Top Hole Diameter	C=Top Cone Diameter	D=Base Cone Diameter	Top Thickness	Bottom Thickness	Cone Height	Cone Weight
18"	10.5"	1.57"	1.93"	8.10"	.09"	.09"	18"	3LB
28" Standard	14.51"	1.57"	1.89"	11.38"	.12"	.12"	28"	7LB
28" Heavy	14.51"	1.57"	1.89"	11.38"	.12"	.12"	28"	10LB
28" Trimline	14.5"	1.57"	1.89"	8.83"	.12"	.12"	28"	10LB
36" Standard	14.75"	1.58"	1.99"	11.69"	.13"	.13"	36"	10LB
36" Heavy	14.75"	1.58"	1.99"	11.69"	.13"	.13"	36"	12LB



The Black Base Cone™ creates a superior class of safety cones, designed for durability and made crash proof. The addition of the Black Base Cone™ rounds out our cone line of All Orange Cones™ and gives us a full range of diverse safety cone options. Shop now for your next project or job.

TRAFFIC CONES & CONE BARS



TC1 SERIES: SOLID FLUORESCENT ORANGE

MODEL NO.	HEIGHT	BODY STYLE	WEIGHT
TC1-28POSL64	28"	SLIM-LINE / WITH COLLARS	7 LBS.
TC1-28P064	28"	WIDE-BODY / WITH COLLARS	7 LBS.
TC1-28POH64	28"	WIDE-BODY / WITH COLLARS	10 LBS.
TC1-36P064	36"	WIDE-BODY / WITH COLLARS	10 LBS.
TC1-36POH64	26"	WIDE-BODY / WITH COLLARS	12 LBS.



TC2 SERIES: ORANGE WITH BLACK BASE

MODEL NO.	HEIGHT	BODY STYLE	WEIGHT
TC2-18P0	18"	WIDE-BODY / NO COLLARS	3 LBS.
TC2-18P06	18"	WIDE-BODY / WITH COLLARS	3 LBS.
TC2-28P064	28"	WIDE-BODY / WITH COLLARS	7 LBS.
TC2-28POH64	28"	WIDE-BODY / WITH COLLARS	10 LBS.
TC2-36P064	36"	WIDE-BODY / WITH COLLARS	10 LBS.
TC2-36POH64	36"	WIDE-BODY / WITH COLLARS	12 LBS.



WHEN ORDERING CONES WITHOUT REFLECTIVE COLLARS REMOVE "64" FROM MODEL NUMBER FOR NO COLLARS.



TCB SERIES CONE BARS

Field adjustable cone bars are durable, reusable, easy to use and fit over traffic cones using built-in plastic ring.

MODEL NO.	LENGTH	WEIGHT	CONSTRUCTION
TCB-6-YB	46"-80"	1 LB	8" ENGINEER GRADE YELLOW STRIPE ON BLACK PVC
TCB-10-YB	65"-120"	1.4 LB	8" ENGINEER GRADE YELLOW STRIPE ON BLACK PVC
TCB-6-OW	46"-80"	1 LB	8" ENGINEER GRADE WHITE & ORANGE STRIPES ON WHITE PVC
TCB-10-OW	65"-120"	1.4 LB	8" ENGINEER GRADE WHITE & ORANGE STRIPES ON WHITE PVC



CONE SIGNS

Add a sign easily to any cone for quick instructions for vehicle or foot traffic.

MODEL NO.	DESCRIPTION
TC-SIGN-LV-R	REFLECTIVE, SINGLE NOTCH
TC-SIGN-LV-NR	NON-REFLECTIVE, SINGLE NOTCH
TC-SIGN-NR-A100	NON-REFLECTIVE, DOUBLE NOTCH
TC-SIGN-EG-A100	REFLECTIVE, DOUBLE NOTCH