

ROAD WAY REFLECTORS DELINEATORS

Eastern Metal manufactures delineators in many shapes, sizes and reflective materials to meet various state and local requirements.

We can meet your specifications.

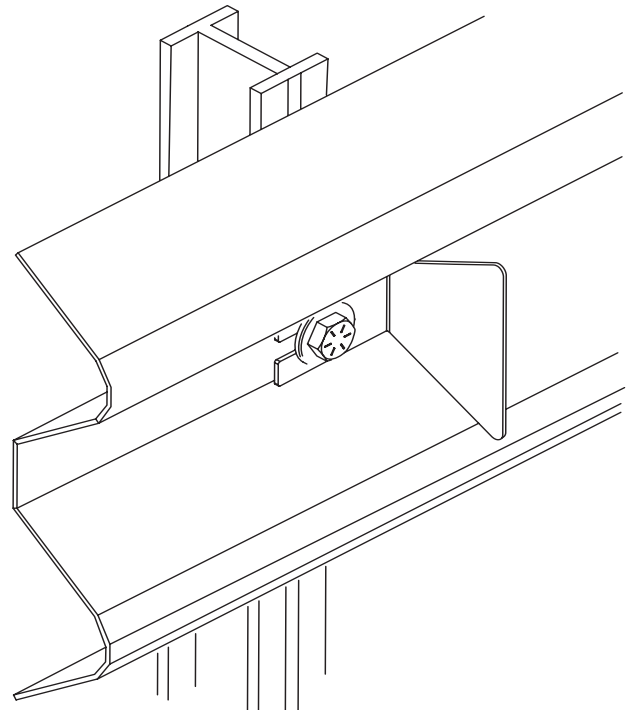


**STANDARD & CUSTOM
MANUFACTURED DELINEATORS**

EASTERN METAL DELINEATORS

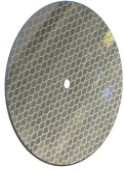
Super Hi-Visibility aluminum delineators
Feature Reflexite® AP-1000 super hi-visibility
surfaces.

All Delineators are made with .063"aluminum.
Standard Colors: White Yellow, Amber, Red

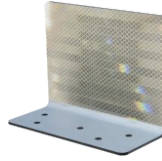


- Standard shapes or custom shapes
- Polycarbonate or aluminum substrate
- Custom colors available.

EASTERN METAL DELINEATORS



Delineator Discs
Item Code: D-611-HIP/PC(sf) -
 Single-sided reflector
 Overall size: 3-1/4" diameter
 1/4" center hole
 Reflective display: 3-1/4" diameter



Barrier-Mount Delineators
Item Code: D-661-(multiple specs available)
Single-sided reflector
Item Code: D-662-(multiple specs available) -
Double-sided reflector
 Face: 4-1/2"w x 3-1/2" h
 Base: 4-1/2"x 2" (with five 1/4" holes)
 Reflective display: 4-1/4" w x 3" h



Post-Mount Delineators
Item Code: D-621-HIP/PC(sf) -
 Single-sided reflector
Item Code: D-622-HIP/PC(df) -
 Double-sided reflector
 Face: 3-1/4"w x 9-1/2" h (with 3/4"x 1-3/4" slot)
 Reflective display: 3"w x 4-1/4" h



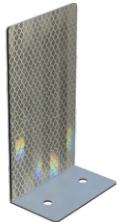
Barrier-Mount Delineators
Item Code: D-671-(multiple specs available)
Single-sided reflector
Item Code: D-672-(multiple specs available)
Double-sided reflector
 Face: 3-1/4"w x 6-7/8" h
 Base: 3-1/4"x 2-7/8" (with 3/4"x 1-3/4" slot)
 Reflective display: 3" w x 4-1/4" h



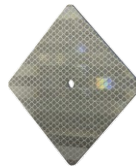
Barrier-Mount Delineators
Item Code: D-631-HIP/PC(sf) -
Single-sided reflector
Item Code: D-632-HIP/PC(df) -
Double-sided reflector
 Face: 3-1/8"w x 4-1/8" h
 Base: 3-1/8"x 2-1/8" (with two 1/4" holes)
 Reflective display: 3"w x 3" h



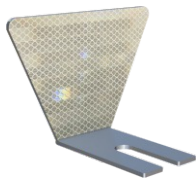
Barrier-Mount Delineators
Item Code: D-681- (multiple specs available)
 Single-sided reflector
Item Code: D-682(multiple specs available)
 Double-sided reflector
 Face: 4-3/4"w x 9-1/2" h
 Base: 4-3/4"x 2-3/4" (with two 1/4" holes)
 Reflective display: 4-1/2"w x 7-7/8" h



Barrier-Mount Delineators
Item Code: D-641-DGW/PC(sf)
Single-sided reflector
Item Code: D-641-HIP/PC(sf)
Single-sided reflector
Item Code: D-642-HIP/PC(df)
Double-sided reflector
 Face: 4-3/4"w x 8-1/2" h
 Base: 4-3/4"x 2-3/4" (with two 1/4" holes)
 Reflective display: 4-1/2"w x 7-7/8" h



3"x 3" Aluminum Delineators
Item Code: D-3x3x063- /AL ____
 (specify reflective sheeting)
 Single-sided reflector
 Face: 3"w x 3" h (with 1/4" center hole)
 Reflective display: 3"w x 3" h



Guard-Rail Mount Delineators
Item Code: D-651-(multiple specs available)
Single-sided reflector
Item Code: D-652-(multiple specs available) -
 Double-sided reflector
 Face: 5-1/4"w x 3-1/4" h
 Face Base: 1-3/4"x 3-1/8"
 (with 3/4"x 1-3/4" slot)
 Reflective display: Trapezoidal
 reflective surfaces
 (10 square inches minimum reflective per side)



3"x 9" Aluminum Delineators
Item Code: D-3x9x063-EG/AL
 Single-sided reflector
 Face: 3"w x 9" h (with two 1/4" holes)
 Reflective display: 3"w x 9" h