



APEX RECOIL-E ECONOMY STAND

THE APEX COMPACT-C STAND
OFFERS PREMIUM QUALITY
AT A COMPETITIVE PRICE
POINT



APEX RECOIL-E ALUMINUM SIGN STAND

Introducing the Eastern Metal Signs and Safety Apex Compact-C Aluminum Sign Stand, This lightweight, portable, and economical stand is designed for effortless setup and takedown.

Built for Efficiency and Affordability:

- **Aluminum construction:** Strong, lightweight, and rust-resistant for lasting performance.
- **Compact folding design:** Folds down quickly and fits easily in vehicles or storage spaces.
- **Kick-lever leg release and spin-handle sign attachment:** Enables setup and takedown in seconds, even with one hand.

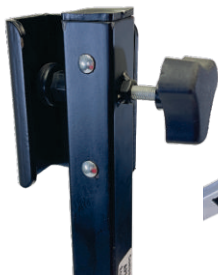
MODEL	MATERIAL	WEIGHT	OPEN SIZE	STORAGE SIZE
APEX-RECOIL-E	ALUMINUM	17LBS.	23 X 27 X 43	5 X 3 X 25

Safety and Visibility You Can Trust:

- **Wind-deflectable design:** Stands strong even in breezy conditions,
- **Anti-skid foot pads:** Provides stability on various terrains, indoors or outdoors.
- **Legs extend:** maximum visibility, even in uneven terrain.
- **3-level leg height adjustment:** Optimize sign visibility and stability



HOLDS
ROLL-UP
SIGNS



SPIN
HANDLE



WIND DEFLECTION
& KICK
LEVER RELEASE



3X HEIGHT
ADJUSTMENT



COMPACT
STORAGE



EXTENDABLE
LEG

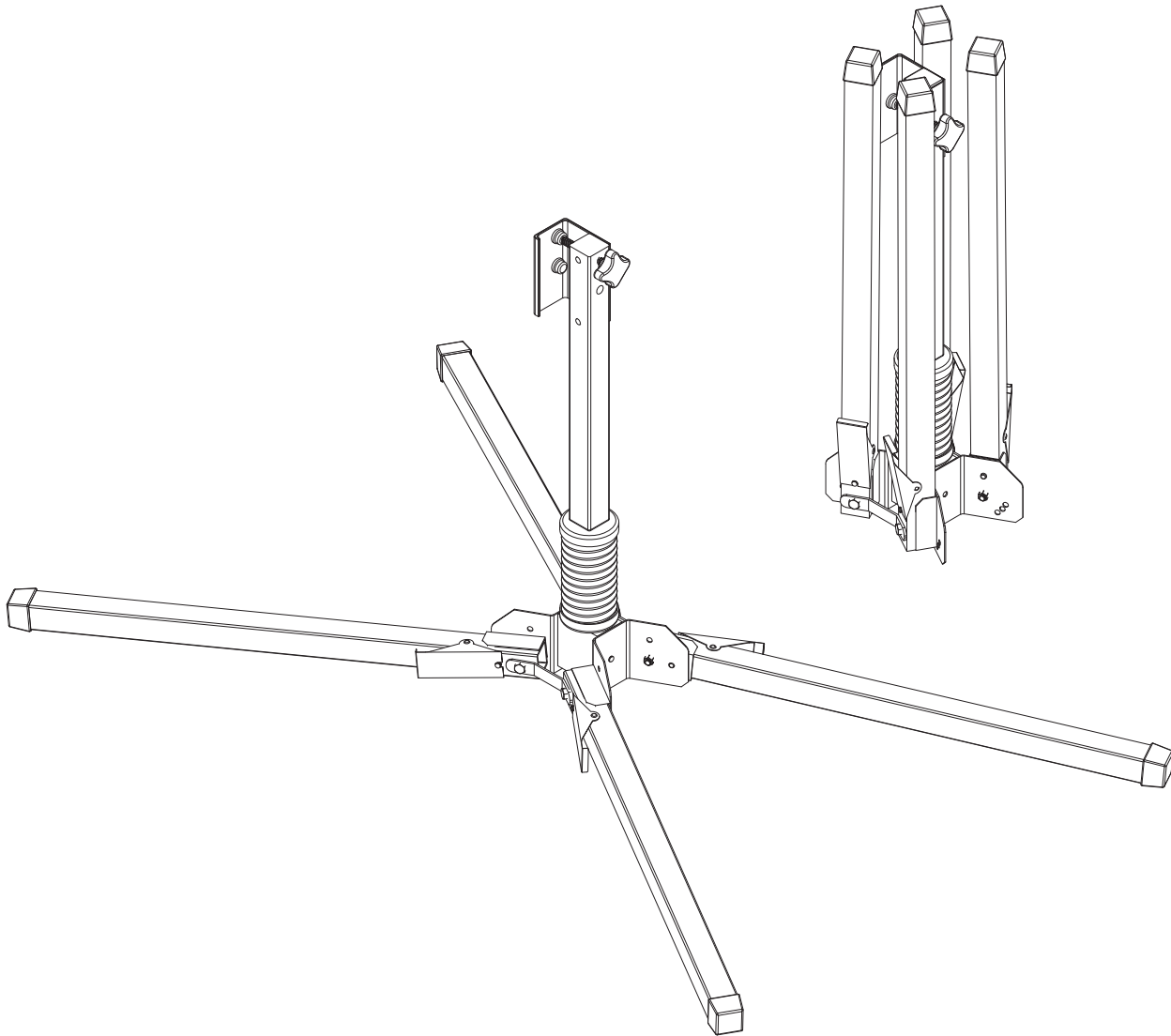
YOUR MANUFACTURER OF WORK ZONE
& TRAFFIC CONTROL PRODUCTS

607-734-2295

CUSTOMERSERVICE@USA-SIGN.COM



Eastern Metal
SIGNS & SAFETY



 MAIN OFFICE- CUSTOMER SERVICE
607-734-2295

 INQUIRIES
CUSTOMERSERVICE@USA-SIGN.COM

 CORPORATE OFFICE
1430 SULLIVAN STREET ELMIRA, NY 14901

 WWW.SIGNSSAFETY.COM

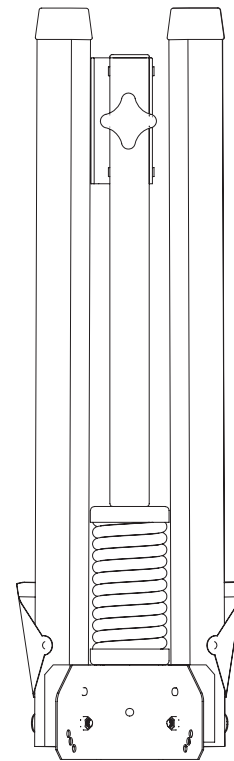
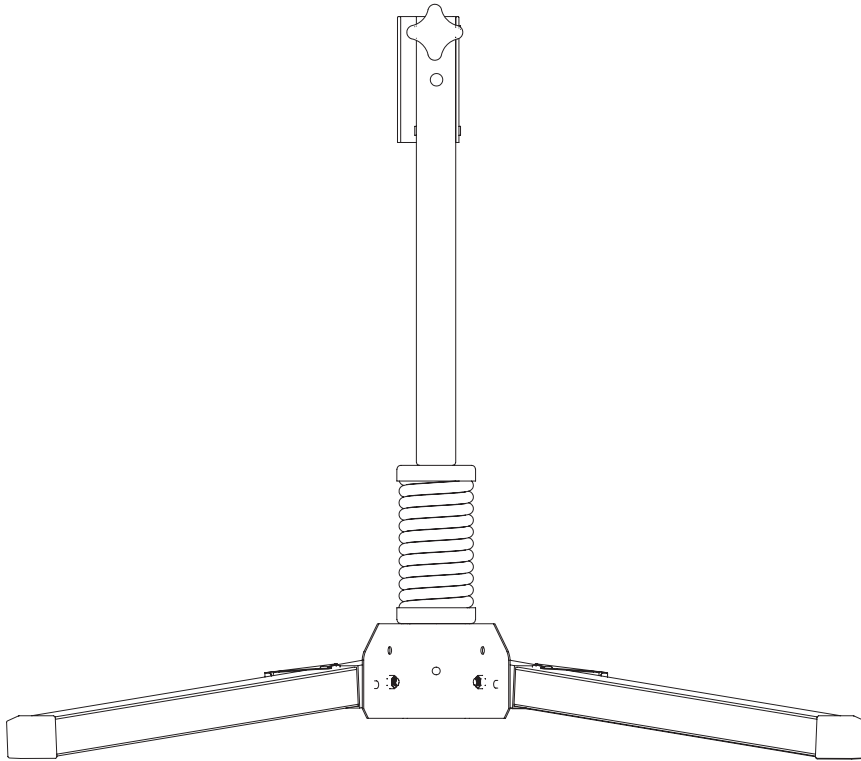
YOUR MANUFACTURER OF WORK ZONE
& TRAFFIC CONTROL PRODUCTS

607-734-2295

CUSTOMERSERVICE@USA-SIGN.COM



Eastern Metal
SIGNS & SAFETY



 MAIN OFFICE- CUSTOMER SERVICE
607-734-2295

 INQUIRIES
CUSTOMERSERVICE@USA-SIGN.COM

 CORPORATE OFFICE
1430 SULLIVAN STREET ELMIRA, NY 14901

 WWW.SIGNSSAFETY.COM