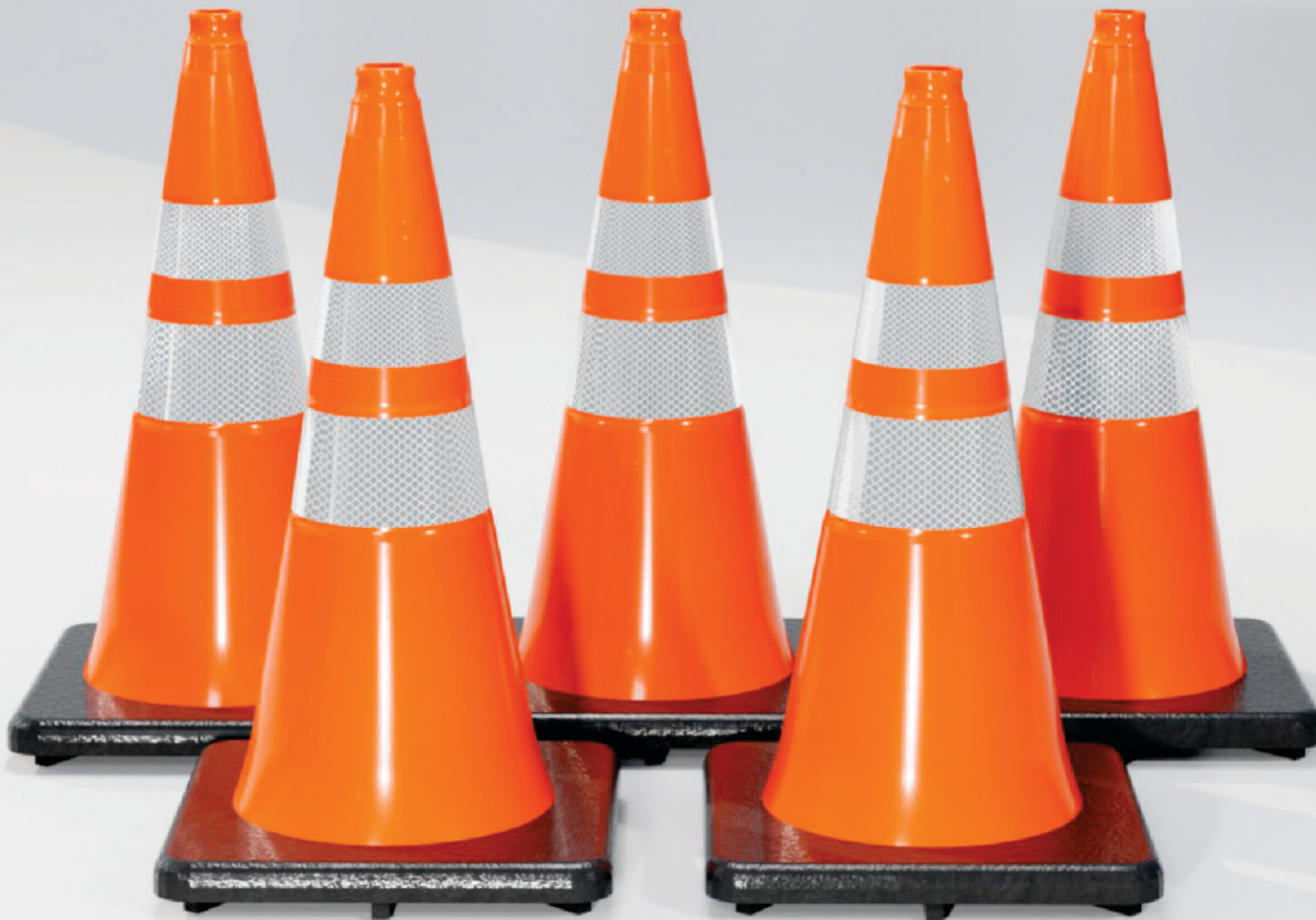


MANUFACTURER IN
ASSOCIATION WITH
ORGILL

 **Eastern Metal**
SIGNS & SAFETY

607-734-2295

WWW.SIGNSSAFETY.COM



Work Area Traffic Cones

WORK AREA TRAFFIC CONES

BLACK BASE SERIES

Designed with durability in mind, these cones can withstand both hot and cold weather conditions, ensuring they are ready to use in any environment. The black base provides a stable foundation, while the top grip makes handling and stacking easy.

Work Area Traffic Cones provide a durable, reliable solution for directing traffic, setting up temporary work zones, and managing construction sites. Their bright orange color ensures high visibility, even in low light conditions, and their lightweight design makes them easy to move and set up quickly.

With Work Area Traffic Cones, you can rest assured that you are creating a safe work zone for both workers and drivers, while maintaining the efficiency and productivity of your project.



FEATURES

- Injection-molded for supreme durability
- New grip technology for easier handling
- Interior bands and wide base design reduce stacking issues
- Our temperature-specific formulation delivers optimal performance in both winter and summer conditions.
- Superior fluorescent pigment gives unmatched fade resistance
- Base and conical sections interlocked and fused to provide integral design
- 16 lug base provides additional support and reduced cracking during run overs
- New base design increases friction to prevent skidding
- Wide base design for easy stacking
- Two-piece cone with polyvinyl chloride (PVC) body and interlocking rubber base
- Fade resistant, superior fluorescent pigment
- NCHRP 350/MASH compliant



**16 LUG
BASE**



**EASY
GRIP TOP**



18" 3^{LB}



28" 7^{LB}



28" 10^{LB}

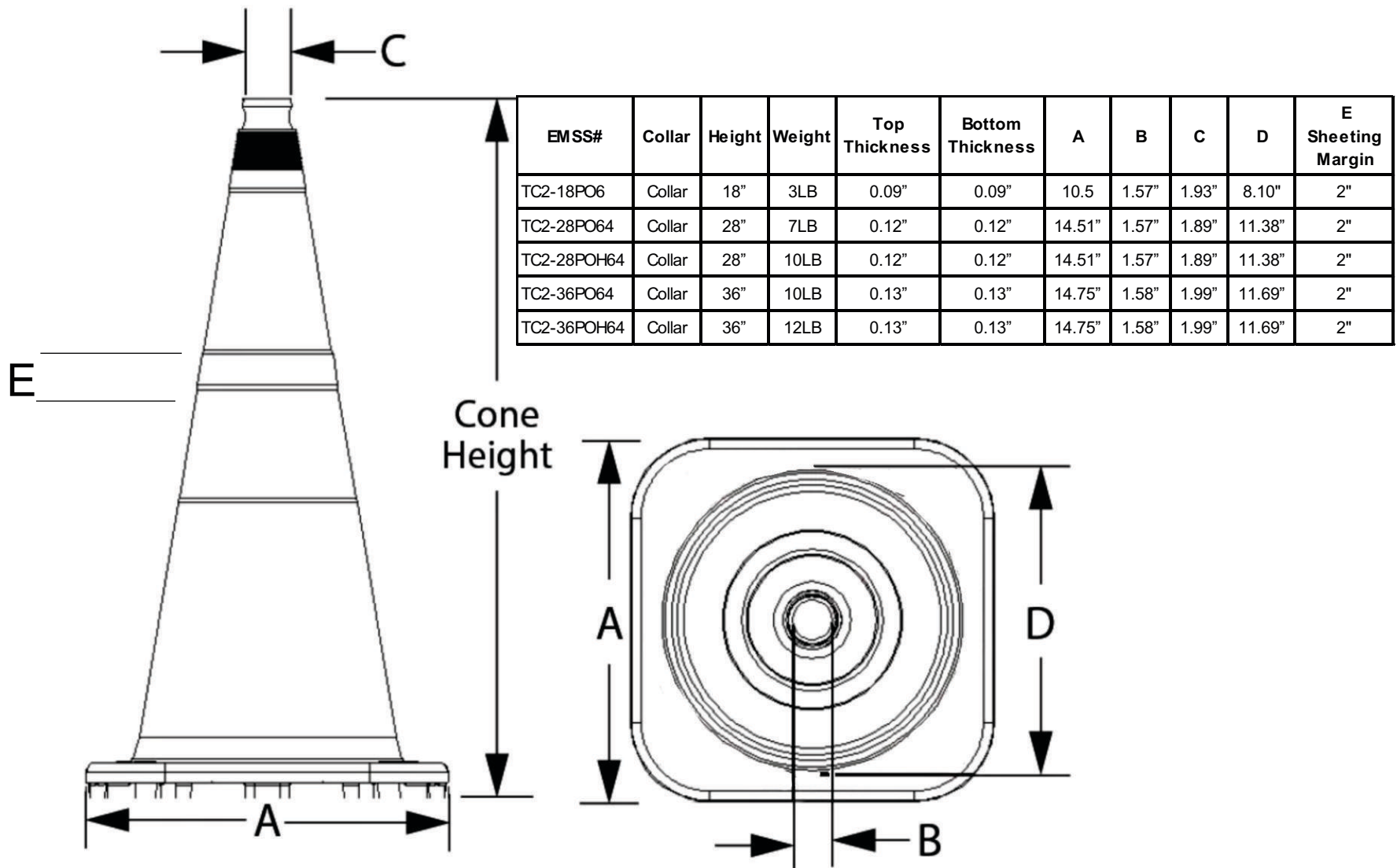


36" 10^{LB}



36" 12^{LB}

The latest in traffic cone technology: the Work Area Traffic Cone. With new grip technology to prevent slippage and quick-release stacking bands, this cone is designed for easy handling and stacking. Its fade-resistant finish and temperature-specific formulation make it ideal for any climate. The 16-lug base provides superior support, reduced cracking, and improved friction, ensuring safe placement. Our crash-proof cone is built to last, delivering high-quality and high-visibility performance for all your work zone needs.



MANUFACTURER IN
ASSOCIATION WITH
ORGILL



Eastern Metal
SIGNS & SAFETY

TRAFFIC & SAFETY CATALOG





Eastern Metal

SIGNS & SAFETY

ORGILL VENDOR NUMBER - 42295

MULTIPLE MANUFACTURING LOCATIONS



MANUFACTURING - INNOVATION - DISTRIBUTION



 MAIN OFFICE- CUSTOMER SERVICE
607-734-2295

 FAX
607-734-8783

 INQUIRIES
CUSTOMERSERVICE@USA-SIGN.COM

 CORPORATE OFFICE
1430 SULLIVAN STREET ELMIRA, NY 14901

 HOURS 8AM-4:30PM -
MONDAY-FRIDAY EST.

 WWW.SIGNSSAFETY.COM